

abtaq

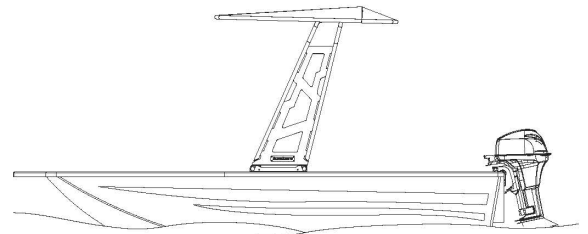
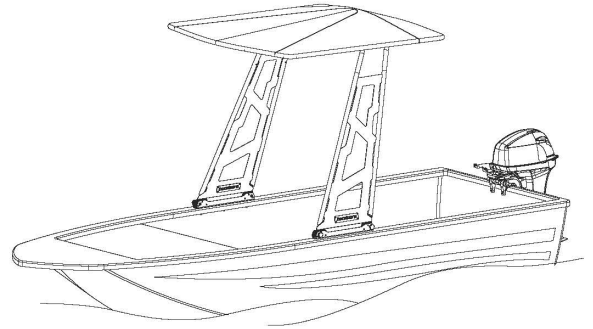
bundoora
CUSTOM MARINE

Set-up Variations
Jan 2025

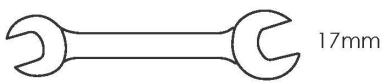


PROPRIETARY AND CONFIDENTIAL. THE INFORMATION CONTAINED IN THIS DRAWING IS THE SOLE PROPERTY OF BBU PTY LTD. ABN 28 636 130 535.
ANY REPRODUCTION IN PART OR AS A WHOLE WITHOUT THE WRITTEN PERMISSION OF BBU (BUNDOORA BOAT UPHOLSTERY) IS PROHIBITED.

Pictured:
1600x1600 Canopy Shade
with Small Tower



Tools required:



45kn max
boat speed

DO NOT DRIVE ON ROAD
WITH CANVAS FITTED

Warranty:

3 year limited lifetime.

See all details online at:

<https://bbu.com.au/terms-conditions/>



bundooraboat



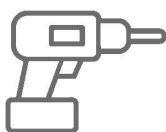
@bundooraboat



@bundooracustommarine



Wear PPE:
Eye protection
Ear protection
Dust mask for
fibreglass drilling



Power tool
use required

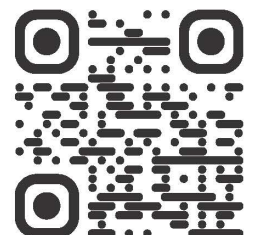


Read and refer to this
manual to ensure correct
assembly and installation.



Danger

**Risk of accident/injury if these
instructions are not followed.**
**If unsure, contact BBU or get a
qualified installer to assist.**

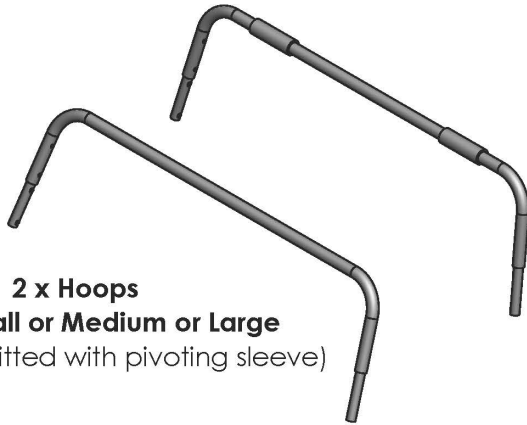


website info at:
www.bbu.com.au

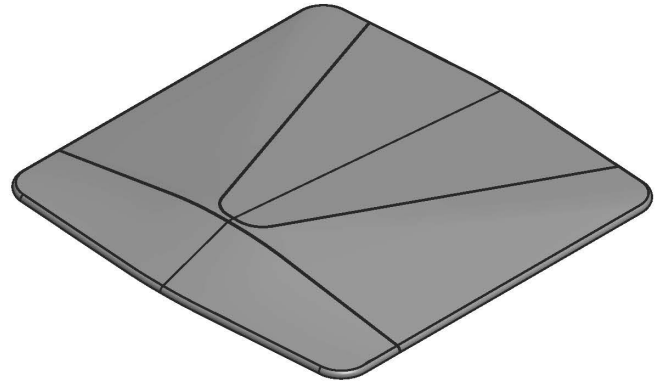
Attaq - Parts List

Typical quantities shown below

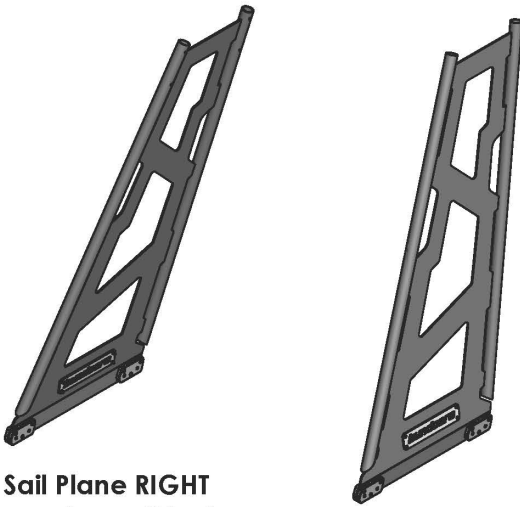
(note: installation is Left/Right reversible)



2 x Hoops
either Small or Medium or Large
(1x Hoop prefitted with pivoting sleeve)

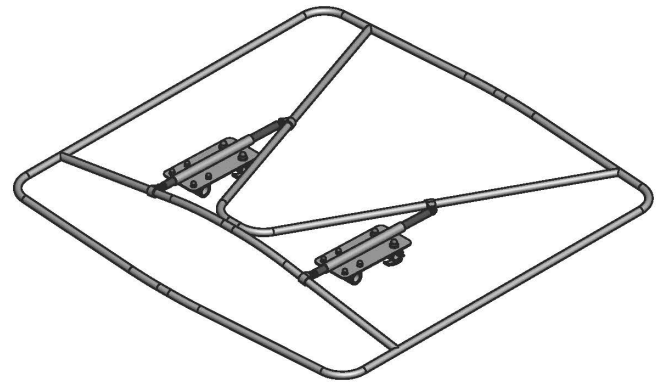


1 x Canopy Canvas
1600 long, either 1500 or 1600 wide
(folded for shipping)

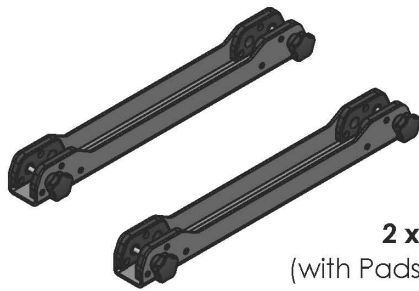


1 x Sail Plane RIGHT
(with pads pre-fitted)

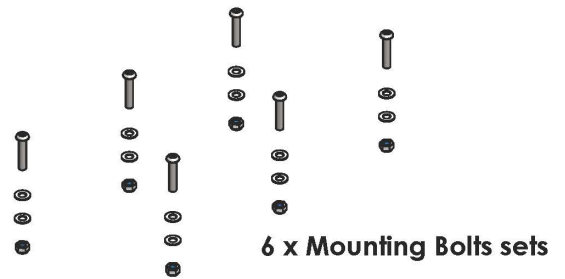
1 x Sail Plane LEFT
(with pads pre-fitted)



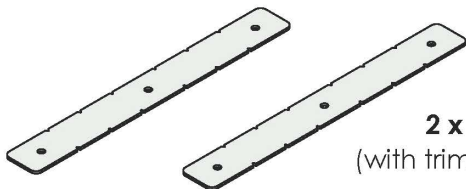
1 x Canopy Frame
1600 long, either 1500 or 1600 wide
(with 2x Mounts pre-fitted)



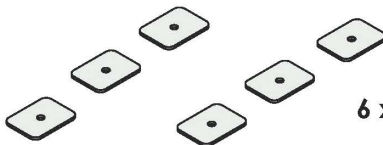
2 x Gunnel Mounts
(with Pads and Fixings pref-fitted)



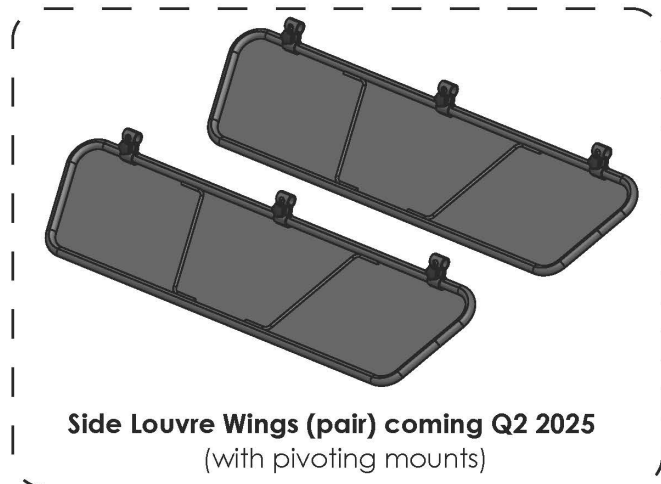
6 x Mounting Bolts sets



2 x BoltDown Plates
(with trim segments if needed)



6 x BoltDown Quad Washers
(alternative use)

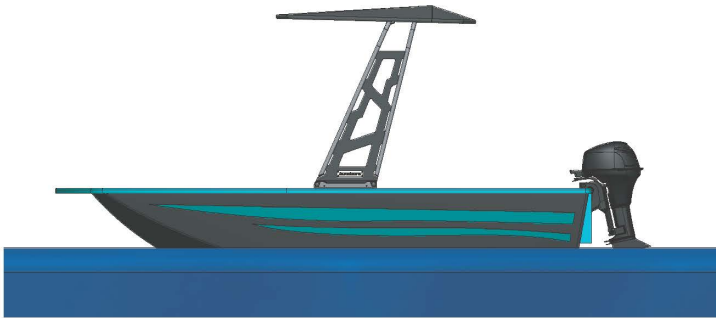


Side Louvre Wings (pair) coming Q2 2025
(with pivoting mounts)

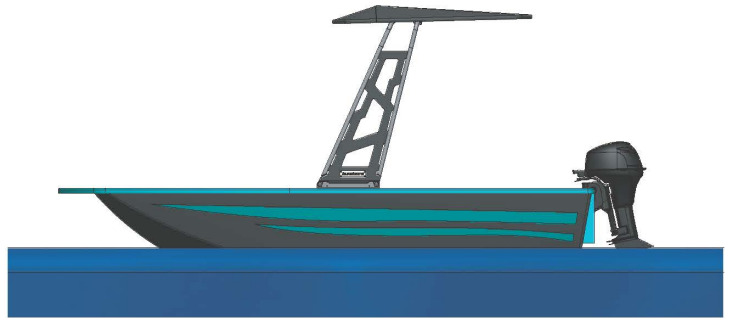
1. Choose Configuration

Thank you for choosing the Attaq Bimini by Bundoora Boats.

Choose your preferred configuration for the final appearance of the Attaq Bimini:



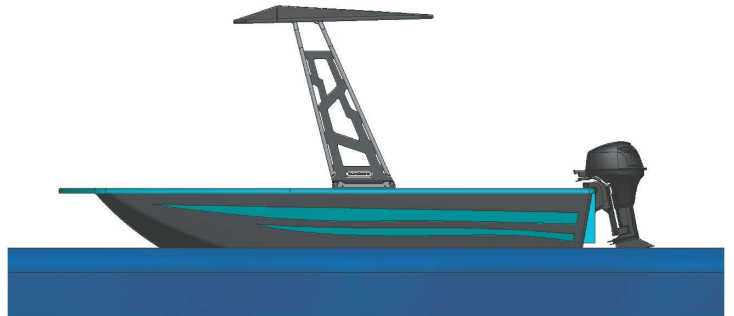
A - Swept back tower + trailing edge canopy



B - Swept back tower + leading edge canopy



C - Attacking tower + trailing edge canopy



D - Attacking tower + leading edge canopy

Get a friend to help move the tower around into position and check for:

1. **FUNCTION:** Full clearance when pivoting the tower to the low position.
2. **APPEARANCE:** The overall look is your favourite choice for your boat and set-up for your style of fishing, considering active areas requiring rod access and rest areas requiring shade.

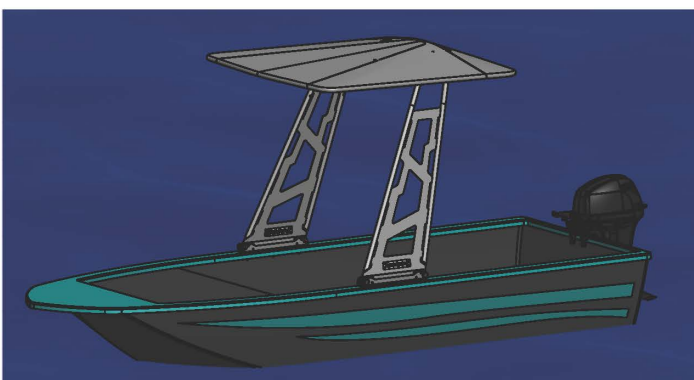
The Attaq Bimini is designed to enable you to choose any combination of:

- Build Configurations A, B, C, D,
- Shadeframe pivoting at the top of the tower from either the front or rear Hoop,
- Tower tilting 90deg down to the boat gunnels from either the front or rear Thumbscrews.

The build can be easily re-configured at a later date, BUT once the mounting holes are drilled, the position is set for clearance to boat features and furniture, such as motor, seats, console or hatches.

These instructions will show the build steps for:

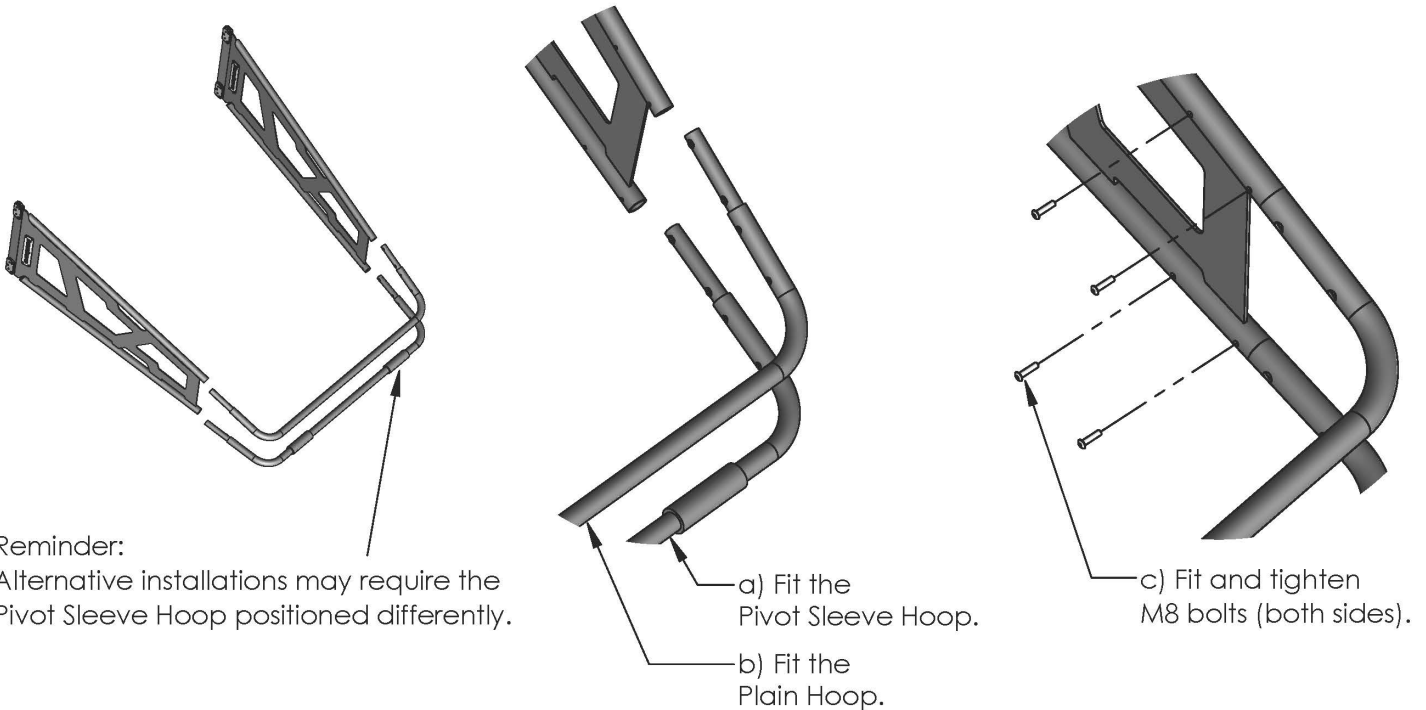
- Configuration A // Shadeframe pivoting from the rear Hoop // Tower tilting from the front Thumbscrews.



2. Assemble Tower

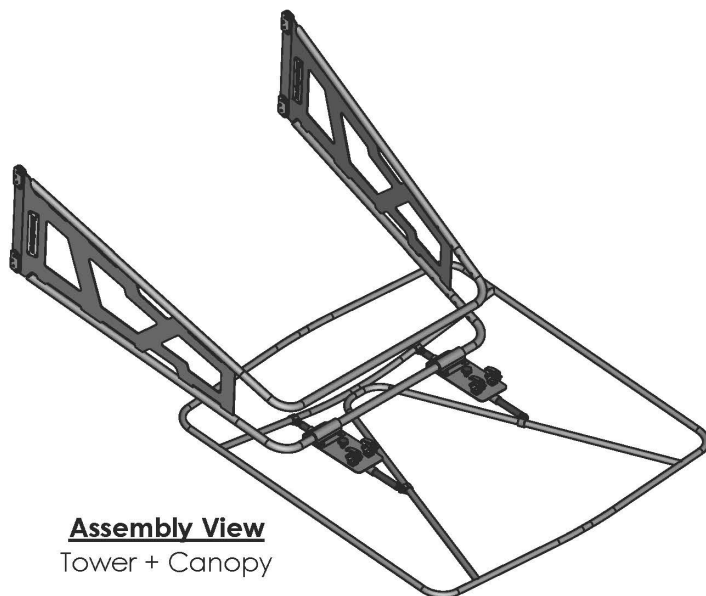
Arrange Sail Planes on the ground, on a soft surface such as a blanket or shipping cardboard packaging.

- Begin by selecting the Hoop with the Foam Pivot Sleeve fitted, and arranging it to the rear Hoop position. Insert into the Left and Right Sail Planes.
- Insert the plain Hoop into the other position on the Left/Right Sail Planes.
- Align and tighten M8 bolts on Left and Right sides as shown.



3. Fit the Canopy Mounts

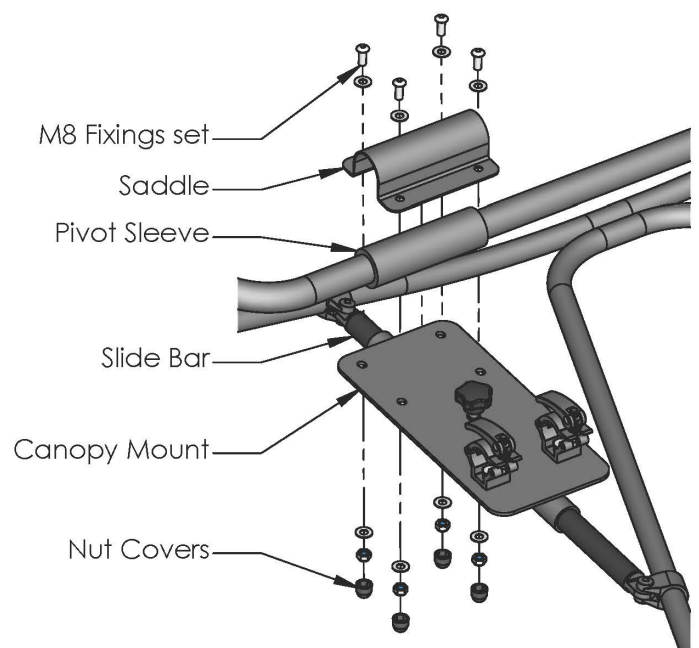
- Tilt the Tower over to rest the Pivot Sleeve Hoop onto the Canopy Mount as shown below.
- Install the loosely fitted fixings and Saddle over the Pivot Sleeve as shown, and tighten firmly.
- Fit the Plastic Nut Covers over the Nyloc Nuts, to prevent future wear/damage to the Shade Canvas.



Assembly View
Tower + Canopy

Note:

You may choose to take the Canopy Mount Bracket off the Slide Bar and rotate 180° should you want to reverse the direction of the canopy.



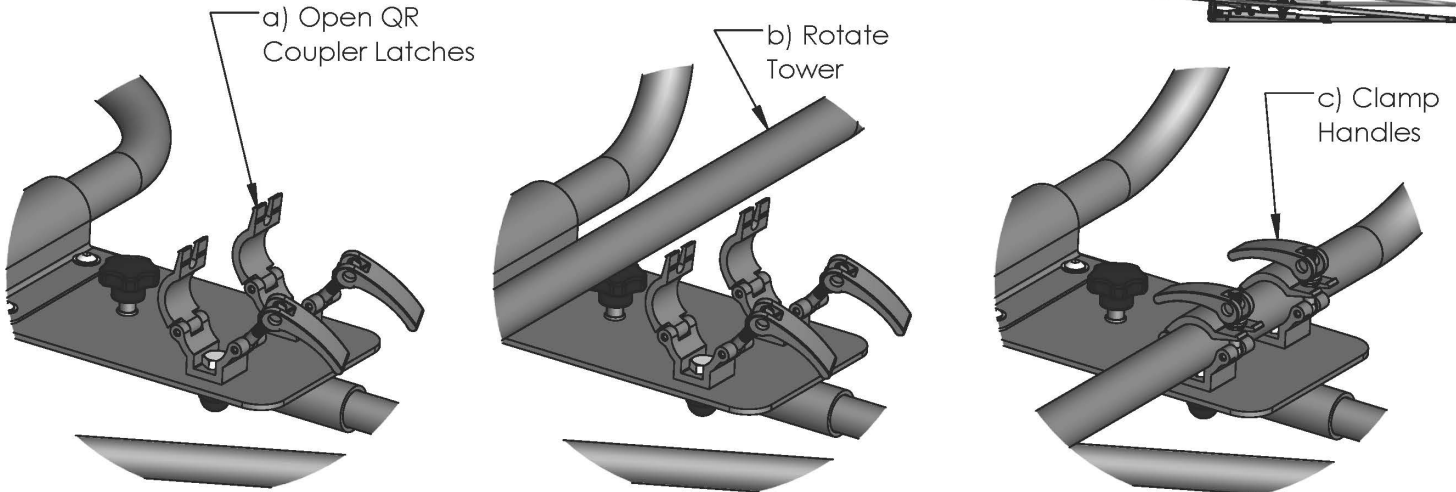
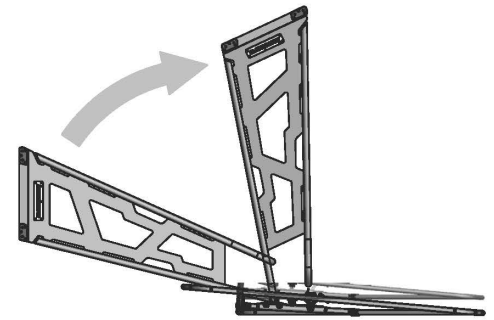
Assembly Detail
Canopy Mount Bracket

4. Quick Release (QR) Couplers

bundoora
CUSTOM MARINE

- Open the 4x QR Coupler Latches.
- Rotate the Tower over towards the Canopy and position the Plain Hoop into the QR Couplers.
- Close the QR Coupler Latch and screw the QR Coupler Handles down to hold Latch. Flip the Handle lever over to clamp firmly into final position.

Note: Avoid over-tensioning the lever - You may need to unscrew and try several times to achieve a firm tension on the Lever clamping.



5. Fit the Gunnel Mounts

- Insert the Tower into the Gunnel Mounts and loosely fit the Thumbscrews.
- Sit the Assembly on your boat to confirm a suitable position, and mark out with tape. Use a friend to help.
- Remove the assembly from the boat, and using the BoltDown Plates as a guide, position within the tape marks and drill 10mm holes accordingly through the boat gunnels. Be careful. Use PPE.
- Using the Mounting Bolts sets provided (Bolts, Washers, Nyloc Nuts), fix the Gunnel Mount to the Boat, using either the BoltDown Plate or Quad Washers, whichever suits your boat structure the best. If the bolts are not long enough, you may need to source alternative length M10 Gr8.8 bolts.

